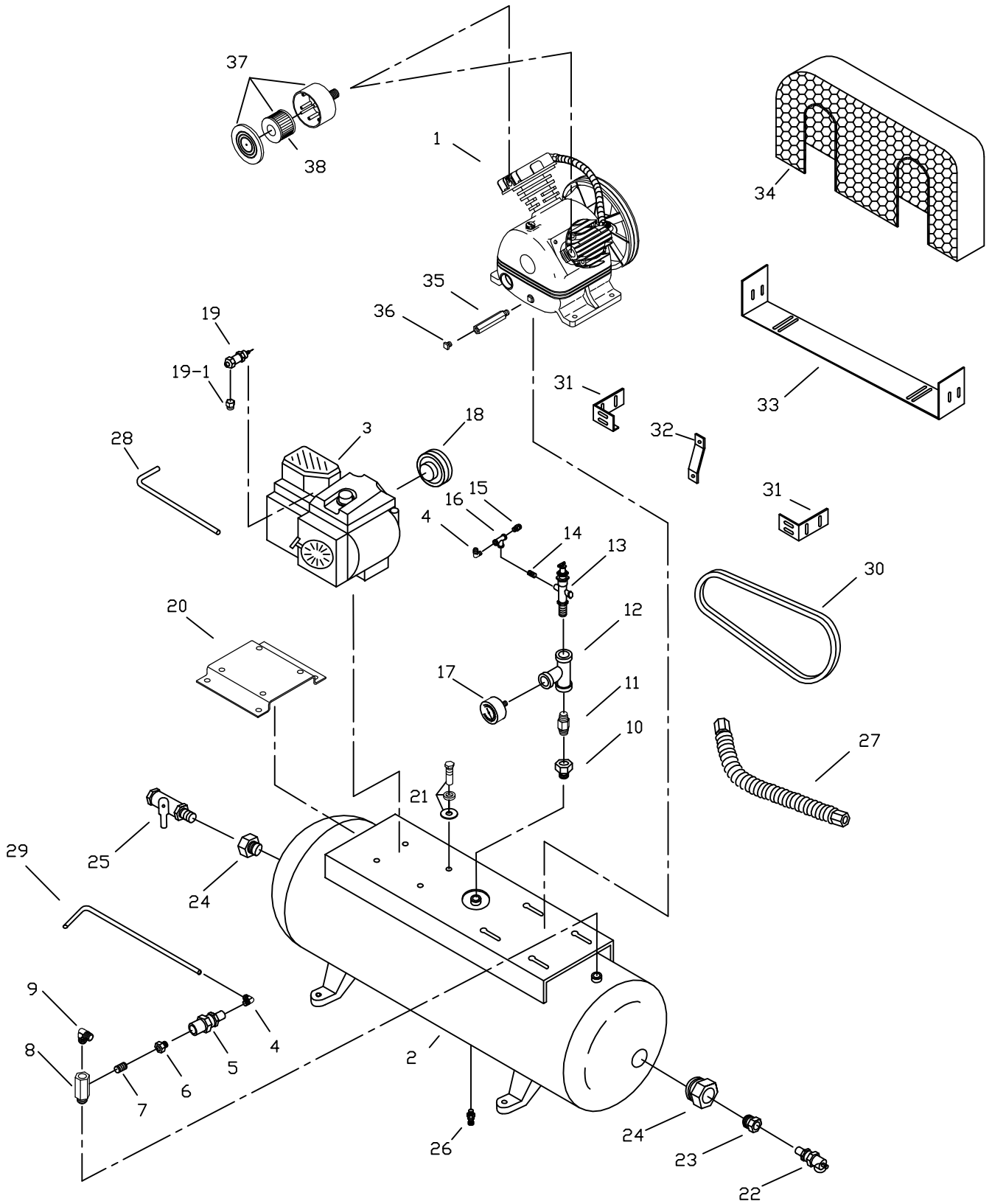
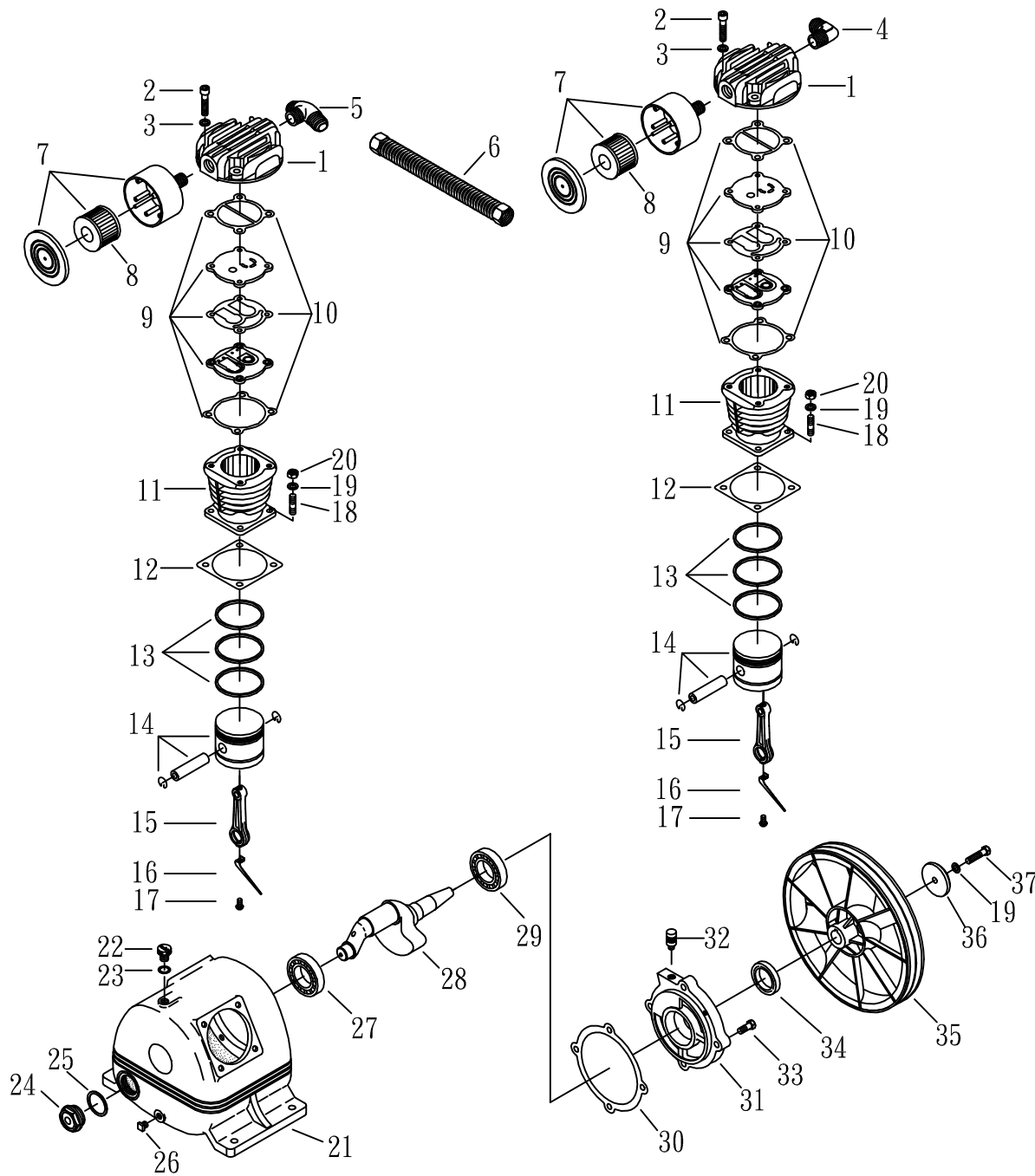


# MODEL: PUK-5530HG



Ref. No.	Item Number	Description	Qty.
1	PK60	Pump	1
2	4001-30HA	Tank	1
3	028-55H	Engine	1
4	024-02RN01MN-00	Elbow Tube Fitting	2
5	041-DV20RC-000	Discharge Valve	1
6	050-02MN01FN	Bushing	1
7	035-01N-C00	Nipple	1
8	CV1212M	Check Valve	1
9	2N06-04T04H	Elbow Tube Fitting	1
10	050-04MN02FN	Bushing	1
11	035-02NX10-H00	Nipple	1
12	067-02FFFNB-00	Tee	1
13	041-PV135MN-000	Pilot Valve	1
14	035-01N-C00	Nipple	1
15	035-02RN01MN-00	Nipple Tube Fitting	1
16	067-01FFFN-00	Tee	1
17	2D12-20D20K	Pressure Gauge	1
18	1A40X06	Pulley	1
19	031-H065P175RC	Throttle Control (Actuator)	1
19-1	070-0108N-01	Nut Tube Fitting	1
19-2	070R-01N-01	Ferrule (Sleeve)	1
20	3421016	Engine Mounting Bracket	1
21	2B00-SM08X045VW	Bolt Sets (Engine side)	4
22	84006009	Pressure Relief Valve	1
23	050-14MN02FN	Bushing	1
24	050-14MN04FN	Bushing	1
25	2413007	Servive Valve	1
26	2405011	Drain Valve	1
27	3B2-04540	Discharge Tube Set	1
28	063-NL01X410	Tube (Pilot Valve to Throttle Control)	1
29	063-CU01X450	Tube (Pilot Valve to Discharge Valve)	1
30	2N31-A50	Belt (A50)	1
31	3427028	Bracket (Left and Right)	2
32	3427015	Bracket (Center)	1
33	3427201	Belt Guard Base	1
34	3426041	Belt Guard	1
35	2305002	Oil Drain Tube	1
36	2N33-001	Plug	1
37	2140020A	Air Filter (w/ Element)	2
38	1807 (2142013)	Filter Element	2

# MODEL : PK-60



## PARTS LIST

REF. NO.	DESCRIPTION	PART NO.	QTY.	REF. NO.	DESCRIPTION	PART NO.	QTY.
1	Cylinder head	3101045	2	20	Hex nut	2B20-FM08	8
2	Hex socket head bolt	2B01-M06*040	8	21	Crankcase	3301015	1
3	Split lock washer	2B33-M06	8	22	Oil cap	2319003	1
4	Elbow	2N06-04T04H	1	23	Oil cap gasket	2G11-005	1
5	Tee	2N09-04H04T04H1	1	24	Oil sight gauge	2303004	1
6	Discharge tube kit	3B2-04*240	1	25	Oil sight gauge gasket	2G11-003	1
7	Air filter	2140020A	2	26	Oil draining plug	2N33-001	1
8	Filter element	1807 (2142013)	2	27	Bearing	2N35-6204	1
9	Inlet & Outlet valve assembly	3B13-AC07	2	28	Crankshaft & counterweight	3304038	1
10	Valve plate gasket kit	3B71-PK20	2	29	Bearing	2N35-6205Z	1
11	Cylinder	3201035	2	30	Rear bearing end gasket	2G06-008	1
12	Cylinder gasket	2G04-003	2	31	Rear bearing end	3311015	1
13	Piston ring kit	3B32-65	2	32	Breather	2321002	1
14	Piston kit	3B31-65	2	33	Hex bolt	2B00-SM08*020	4
15	Rod	2315028	2	34	Oil seal	2N50-TC24*47*07	1
16	Oil splasher	2317017	2	35	Pulley	3PBF-105A124	1
17	Bolt (+)	2B02-FM5*010	2	36	Flat washer	2B30-08*35*35	1
18	Stud screw	2B11-001	8	37	Hex bolt	2B00-SM08*035A	1
19	Split lock washer	2B33-M08	9	38			